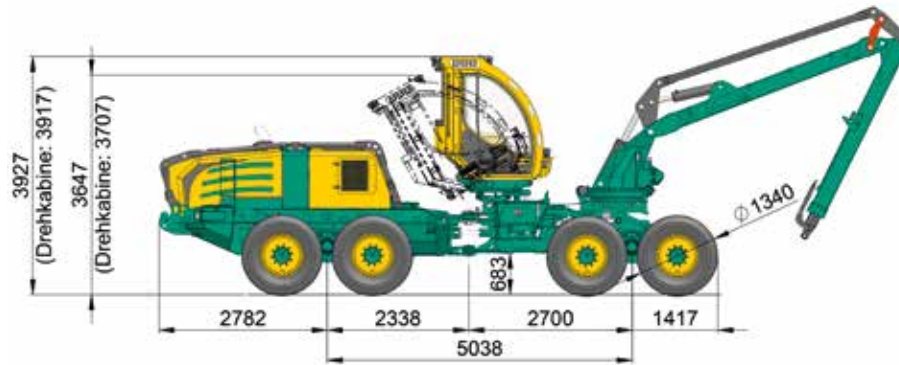


# 405H2 8WD



## Motor (6 cylinder):

- VOLVO PENTA  
TAD882VE EU Stage V  
Power: 210 kW (286 HP) from 1700 rpm  
Max. revolution: 1225 Nm from 1100 - 1600 rpm  
Max. torque: 1255 Nm at 1400 rpm  
Displacement: 7,7 liters

## Transmission:

- Hydrostatic-mechanical
- NAF 2-speed transfer gearbox

## Axels:

- NAF balanced portal tandem axles
- Front: 100 % selectable differential lock
- Rear: 100 % selectable differential lock

## Brake:

- 2-circuit brake, disk brakes running in an oil bath
- Spring-loaded parking brake

## Steering:

- Articulated steering with 2 cylinders
- 2 steering cylinders, 50° steering angle

## Tyres:

- |           | Size:       | Total width              |
|-----------|-------------|--------------------------|
| Series:   | 710/45-26,5 | 2880 mm Tapes and chains |
| Optional: | 800/40-26,5 | 2980 mm only tapes       |
|           |             | 3060 mm Tapes and chains |
|           | 600/55-26,5 | 2660 mm Tapes and chains |

## Tank capacity:

- Diesel: 500 l
- AdBlue: 45 l
- Hydraulic oil: 250 l

## Hydraulic system:

- Load sensing
- Variable pump: Crane pump: 190 cm<sup>3</sup>  
Head pump: 190 cm<sup>3</sup>  
flow rate: 532 l/min at 1400 rpm  
pressure: up to 380 bar
- Hydraulic oil: saturated synthetic ester  
Panolin HLP SYNTH with Kleenoil  
Microfiltration; WGK 1

## Cabin:

- Height-adjustable at the front / rear +10° / -29°
- Bent Lexan windscreen
- Windscreen wipers in the front and at the side
- ROPS, FOPS, OPS tested safety cab
- Air cushioned seat with seat heating
- Hot water heating
- Auxiliary heating with cooling water and hydraulic oil preheating
- Air conditioner
- Optional height-adjustable and rotatable (270°), front / rear +10° / -12°, (restricted to -24°) lateral +/- 9°
- Optional: Sun blinds

## Electrics / Instruments:

- HSM Ecommand colour display
- 5 driving programs + factory setting
- Diagnostics function and error display
- Graphical support for editing parameters
- 110 A (28 V) generator
- 2 maintenance-free dry-cell batteries, each with 75 Ah

## Weight:

- From 25.400 kg

## Torsion lock:

- 2 hydraulic cylinders

## Crane:

- Mesera M221 H100 / H110  
Range: 10 m / 11 m  
Gross lifting moment: 188 kNm  
Pivoting moment: 43,6 kNm  
Pivot angle: 260°  
Tilt angle: +24°/-30°
- Optional:  
Mesera M240 H103 / H111  
Range: 10,3 m / 11 m  
Gross lifting moment: 240 kNm  
Pivoting moment: 54 kNm  
Pivot angle: 260°  
Tilt angle: +24°/-30°

## Aggregate:

- Logmax 6000  
Felling diameter: 650 mm  
Delimiting diameter: 500 mm  
Max. feed force: 26,9 kN  
Max. feed force speed: 4,2 m/s  
Max. operating pressure: 280 bar  
Weight: 1.330 kg
- Control: LOG Mate
- Other aggregates on request

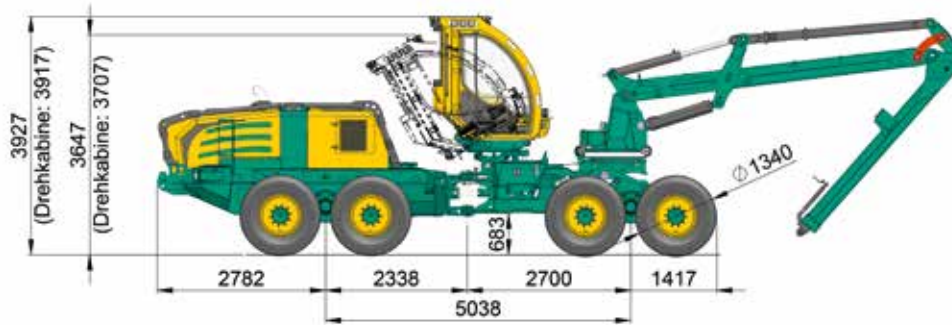
## Standard equipment:

- 20 LED work lights on the cab, 4 work lights in front of the crane, 2 LED work lights on the crane column, 2 LED work lights on the rear frame, bogie lift front separately switchable, voltage converter on-board voltage 24 V to 12 V, end cushioning for crane and steering cylinder, radio, fire extinguisher, first-aid kit, warning triangle, tool set, bypass filter, Diesel fill pump, hydraulic fill pump, vacuum pump

## Special equipment:

- GPS system
- Data transfer
- Bogielift engine carriage
- Attachement steep slope winch, traction constant 120 kN, max. 150 kN
- Air compressor 24 V
- Guard bracket bonnet

# 405H3 8WD



## Motor (6 cylinder):

- VOLVO PENTA  
TAD882VE EU Stage V  
Power: 210 kW (286 HP) from 1700 rpm  
Max. revolution: 1225 Nm from 1100 - 1600 rpm  
Max. torque: 1255 Nm at 1400 rpm  
Displacement: 7,7 liters

Optional:

- VOLVO PENTA  
TAD884VE EU Stage V  
Power: 250 kW (340 HP) from 1800 rpm  
Max. revolution: 1330 Nm from 1200 - 1800 rpm  
Max. torque: 1360 Nm at 1400 rpm  
Displacement: 7,7 liters

## Transmission:

- Hydrostatic-mechanical
- NAF 2-speed transfer gearbox

## Axels:

- NAF balanced portal tandem axles
- Front: 100 % selectable differential lock
- Rear: 100 % selectable differential lock

## Brake:

- 2-circuit brake, disk brakes running in an oil bath
- Spring-loaded parking brake

## Steering:

- Articulated steering with 2 cylinders
- 2 steering cylinders, 50° steering angle

## Tyres:

- |           | Size:       | Total width              |
|-----------|-------------|--------------------------|
| Series:   | 710/45-26,5 | 2880 mm Tapes and chains |
| Optional: | 800/40-26,5 | 2980 mm only tapes       |
|           |             | 3060 mm Tapes and chains |
|           | 600/55-26,5 | 2660 mm Tapes and chains |

## Tank capacity:

- Diesel: 500 l
- AdBlue: 45 l
- Hydraulic oil: 250 l

## Hydraulic system:

- Load sensing
- Variable pump: Crane pump: 190 cm<sup>3</sup>  
Head pump: 190 cm<sup>3</sup>  
flow rate: 532 l/min bei 1400 rpm  
pressure: up to max. 380 bar
- Hydraulic oil: saturated synthetic ester  
Panolin HLP SYNTH with Kleenoil  
Microfiltration; WGK 1

## Cabin:

- Height-adjustable at the front / rear +10° / -29°
- Bent Lexan windscreen
- Windscreen wipers in the front and at the side
- ROPS, FOPS, OPS tested
- Tested safety cab
- Air cushioned seat with seat heating
- Hot water heating
- Auxiliary heating with cooling water and hydraulic oil preheating
- Air conditioner
- Optional height-adjustable and rotatable (270°), front / rear +10° / -12°, (restricted to -24°) lateral +/- 9°
- Optional: Sun blinds

## Electrics / Instruments:

- HSM Ecomand colour-display
- 5 operator programs + factory setting
- Diagnosis-tool and error-indication
- Graphic support at parameter editing
- Generator 110 A (28 A)
- 2 service-free dry batteries à 75 Ah

## Weight:

- From 26.200 kg

## Torsion lock:

- 2 hydraulic cylinders

## Crane:

- Mesera M280 V110  
Range: 11 m  
Gross lifting moment: 280 kNm  
Pivoting moment: 65 kNm  
Pivot angle: 260°  
Tilt angle: +24°/-30°
- Other cranes on request

## Aggregate:

- Logmax 6000  
Felling diameter: 650 mm  
Delimiting diameter: 500 mm  
Max. feed force: 26,9 kN  
Max. feed force: 4,2 m/s  
Max. operating pressure: 280 bar  
Weight: 1.330 kg  
Control: LOG Mate
- Other aggregates on request

## Standard equipment:

- 20 LED work lights on the cab, 4 work lights in front of the crane, 2 LED work lights on the crane column, 2 LED work lights on the rear frame, bogie lift front separately switchable, voltage converter on-board voltage 24 V to 12 V, end cushioning for crane and steering cylinder, radio, fire extinguisher, first-aid kit, warning triangle, tool set, bypass filter, Diesel fill pump, hydraulic fill pump, vacuum pump

## Special equipment:

- Crane tip control xyControl (Epsilon crane)

# 405H4 8WD

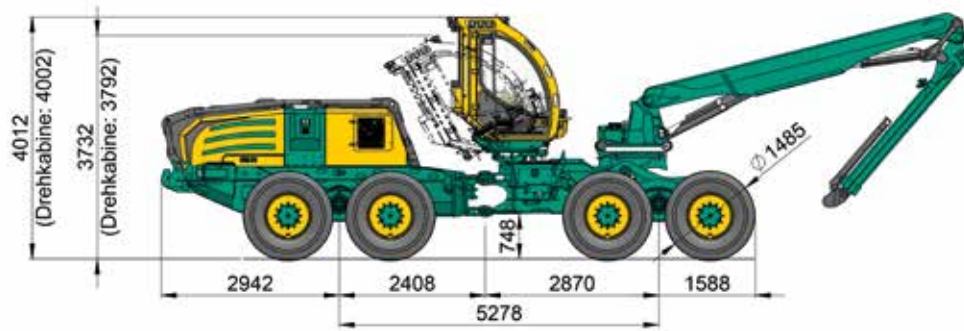


Fig. with Epsilon X270 H107 crane

## Motor (6 cylinder):

- VOLVO PENTA  
TAD884VE EU Stage V  
Power: 250 kW (340 HP) from 1800 rpm  
Max. revolution: 1330 Nm from 1200 - 1800 rpm  
Max. torque: 1360 Nm at 1400 rpm  
Displacement: 7,7 liters

## Transmission:

- Hydrostatic-mechanical
- NAF 2-speed transfer gearbox

## Axels:

- NAF balanced portal tandem axles
- Front: 100 % selectable differential lock
- Rear: 100 % selectable differential lock

## Brake:

- 2-circuit brake, disk brakes running in an oil bath
- Spring-loaded parking brake

## Steering:

- Articulated steering with 2 cylinders
- 2 steering cylinders, 50° steering angle

## Tyres:

- |           |              |                          |
|-----------|--------------|--------------------------|
|           | Size:        | Total width              |
| Series:   | 750/55-R26,5 | at 2900 mm               |
|           |              | 3000 mm Tapes and chains |
| Optional: | 650/55-R26,5 | 2900 mm Tapes and chains |

## Tank capacity:

- Diesel: 500 l
- AdBlue: 45 l
- Hydrauliköl: 250 l

## Hydraulic system:

- Load Sensing
- Variable pump: crane pump: 190 cm<sup>3</sup>  
(working pump) head pump: 190 cm<sup>3</sup>  
flow rate: 532 l/min at 1400 rpm  
pressure: up to max. 380 bar
- Hydraulic oil: saturated synthetic ester  
Panolin HLP SYNTH with Kleenoil  
Microfiltration; WGK 1

## Cabin:

- Height-adjustable at the front / rear +10° / -29°
- Bent Lexan windscreen
- Windscreen wipers in the front and at the side
- ROPS, FOPS, OPS tested
- Tested safety cab
- Air cushioned seat with seat heating
- Hot water heating
- Auxiliary heating with cooling water and hydraulic oil preheating
- Air conditioner
- Optional height-adjustable and rotatable (270°), front / rear +10° / -12°, (restricted to -24°) lateral +/- 9°
- Optional: Sun blinds

## Electrics / Instruments:

- HSM Ecommand colour-display
- 5 operator programs + factory setting
- Diagnosis-tool and error-indication
- Graphic support at parameter editing
- Generator 110 A (28 A)
- 2 service-free dry batteries á 75 Ah

## Weight:

- From 29.200 kg

## Torsion lock:

- 2 hydraulic cylinders

## Crane:

- Epsilon X270 H107  
Range: 10,9 m  
Gross lifting moment: 360 kNm  
Pivoting moment: 92 kNm  
Pivot angle: 260°  
Tilt angle: +24°/-30°

## Optional:

- HSM H4-15  
Range: 15 m  
Gross lifting moment: 380 kNm  
Pivoting moment: 92 kNm  
Pivot angle: 260°  
Tilt angle: +24°/-30°

## Aggregate:

- Logmax 6000  
Felling diameter: 650 mm  
Delimiting diameter: 500 mm  
Gross lifting moment: 26,9 kN  
Max. feed force speed: 4,2 m/s  
Max. operating pressure: 280 bar  
Weight: 1.330 kg  
Control: LOG Mate
- Other aggregates on request

## Standard equipment:

- 20 LED work lights on the cab, 4 work lights in front of the crane, 2 LED work lights on the crane column, 2 LED work lights on the rear frame, bogie lift front separately switchable, voltage converter on-board voltage 24 V to 12 V, end cushioning for crane and steering cylinder, radio, fire extinguisher, first-aid kit, warning triangle, tool set, bypass filter, Diesel fill pump, hydraulic fill pump, vacuum pump

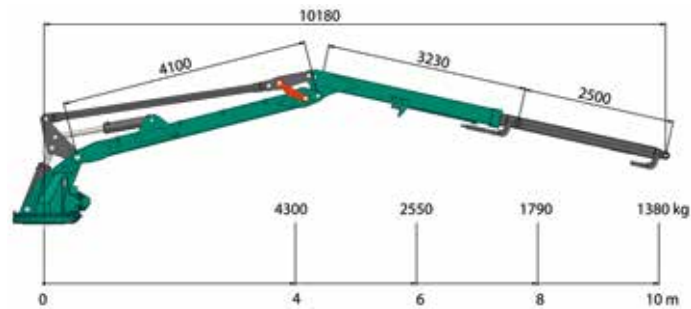
## Special equipment:

- GPS system
- Data transfer
- Bogielift engine carriage
- Attachement steep slope winch, traction constant 120 kN, max. 150 kN
- Air compressor 24 V
- Guard bracket bonnet

# Crane 405H

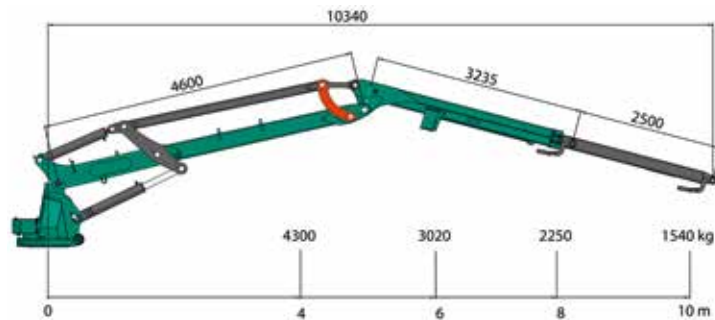
## Crane M221 H100:

Lifting moment gross	188 kNm
Pivoting moment	43,6 kNm
Pivot angle	260°



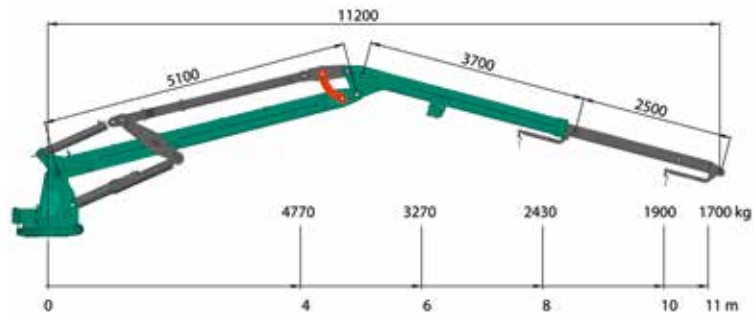
## Crane M240 H103:

Lifting moment gross	240 kNm
Pivoting moment	54 kNm
Pivot angle	260°



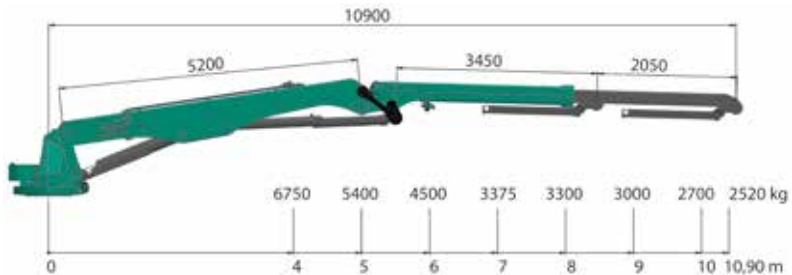
## Crane M280 V110:

Lifting moment gross	280 kNm
Pivoting moment	65 kNm
Pivot angle	260°



## Crane X270 H107:

Lifting moment net	270 kNm
Pivoting moment	92 kNm
Pivot angle	260°



## Crane HSM H4-15:

Lifting moment gross	380 kNm
Pivoting moment	80 kNm
Pivot angle	260°

